

# Pinnacle™

Covering Your Access Control  
Security from Start to Finish

# Sielox

**Scalability from entry level to enterprise**

**Unlimited expandability for ongoing growth**

**Wide-ranging administrative option settings**

**Compatibility with leading 3rd party solutions**

## The Definitive Security Solution

Sielox has been a leader in access control since 1979. Introduced in 2003, Pinnacle's set of core features, complete compatibility with Sielox 32-bit controllers, and seamless integration with products from renowned partners, all give you an unmatched—and growing—resource for advanced system design.

## Scalable from Entry Level to Enterprise

Pinnacle is Sielox's next-generation, feature-rich event management system. Now you can have greater control over your company's security, whether for a small office or a building campus with multiple access security points. Pinnacle systems are available in four configurations— Lite, Standard, Plus, and Professional—providing you the ideal match for your access control needs today, with scalability to meet future growth.

## Unlimited Expandability

Add employees. Increase your space. Exceed your design specs. Pinnacle will be ready with unlimited support, enabling you to easily handle the number of on-line readers, cards and cardholders, client workstations, and addressable controllers you require. Further leveraging Pinnacle's unlimited administration options for settings such as access levels, time zones, groups and cardholder customer fields.



**Aegis2 is Sielox's cutting edge graphical command and control integration software.**



## Agile Development

Sielox has adopted the Agile Methodology for software development, taking the quality and reliability of the software to today's highest standards.

## Aegis2

Aegis2 is Sielox's cutting edge graphical command and control integration software. It can be installed on the same computer with Pinnacle or separately. It supports multiple workstations.

Create your maps from existing AutoCAD, JPEG, BMP, and many other file formats. Drag and drop cameras, intercoms, doors, readers, inputs and outputs and more to a map and control them with a mouse click. Events can pop-up video on the screen and start DVR recording. Aegis2 integrates with most of the major CCTV, DVR, intercom and serial alarm devices.

# Pinnacle™

Your Integrated Access Control Platform

System developed and manufactured entirely by Sielox

Intuitive GUI simplifies set-up, training, and operation

Enables multiple passwords and permissions per user

Simultaneous security coverage of separately defined regions

SQL database ensures IT compatibility and modular development

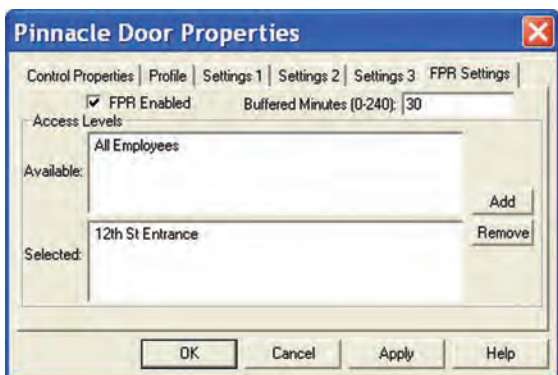


## Security System Administration and Control

Pinnacle puts the cardholder first. During set-up, cardholders can be assigned a variety of access levels and multiple cards, with Pinnacle supporting an unlimited number of badge formats. Libraries of up to nine images per card record can also be built. Card history data can be archived for future variations. Devices are easily configured, set up, and operated. An overall display of your security network is available via the Pinnacle event monitor, with four window views for unequalled control flexibility. A wide range of event filters manage the display and provide alarm notifications via “pop-up”, e-mail and “.wav” settings.

## SQL Database Management and System Partitioning

Pinnacle uses a Microsoft® SQL Server to ensure IT compatibility and ease of management. Database partitioning is also offered as an option, allowing a single Pinnacle System to be divided into smaller independent operations. Central administration and shared devices are both fully supported. By leveraging today's technology, Pinnacle works with the latest operating systems, and provides the stability required of any access control system.



## System Integration with Sielox Controllers

Pinnacle works seamlessly with Sielox's newest 32-bit controllers, enabling flexible and cost-effective designs. Legacy 16-bit and 8-bit controllers are also supported ... no controller left behind! Advanced set-up also supports distributed architecture, allowing the use of multiple hardware controllers for improved communications efficiency.

## Elevator Control

Pinnacle supports up to 60 floors per a fully populated AC-1500 controller panel, giving you elevator access control that no other security product can match. The unique Access Level Output Control (ALOC) functionality defines the time zone during which a cardholder has access to their assigned floors.

## Photo ID Badging

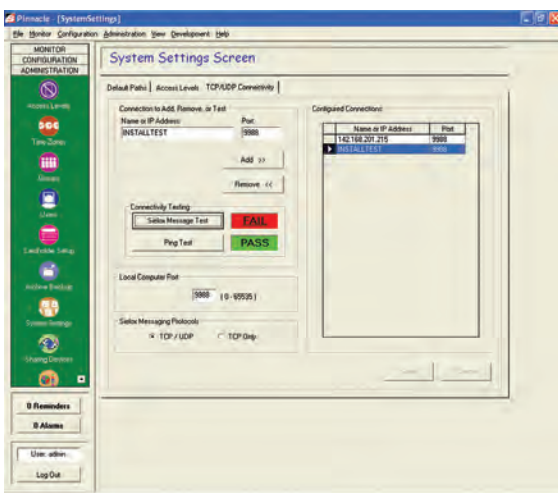
Pinnacle supports all TWAIN and WinTab devices, simplifying image capture and badge creation. Simple on-screen editing features include color, brightness, and contrast control, along with image cropping and red-eye removal.

## First Person Rule (Snow Day)

Any door scheduled to be unlocked via Time Zone, will not do so until an authorized card holder is admitted prior to the unlock schedule.

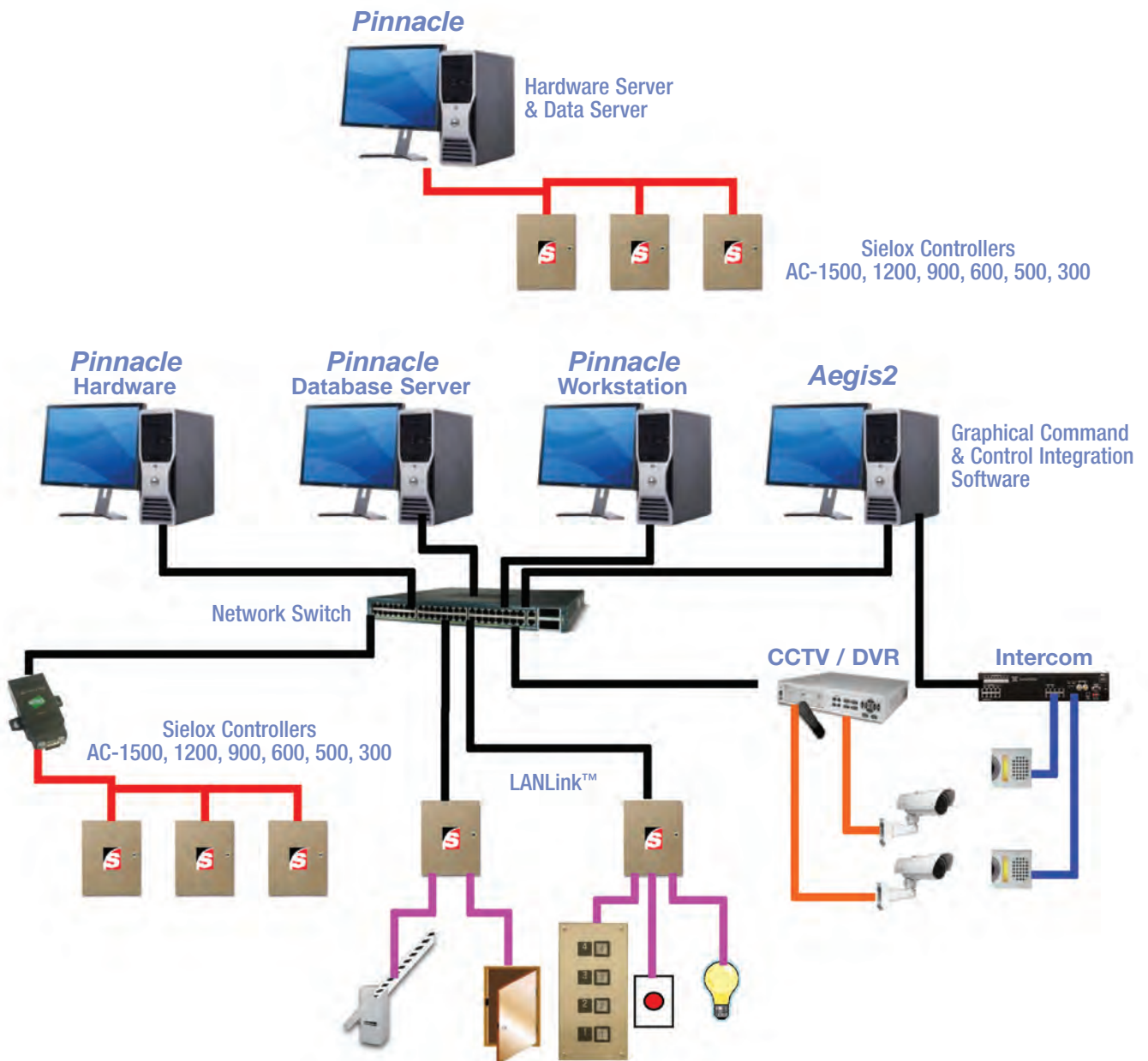
## System Network Setup Tool (TCP / UDP Switch)

This new enhanced network tool helps setup Pinnacle workstations and IP Tunneling table. Includes OS Ping and Sielox Message ping tools.



## Sielox System Architecture

Sielox has a flexible architecture that allows Pinnacle and Aegis2 to run on a single computer or on multiple computers and workstations across the network.



**Pinnacle™ Software Series** – Open. Modular. Scalable. Intuitive. Pinnacle meets the demands for more precise control, greater flexibility, and enhanced security for facilities ranging in size from a small office with a single entrance to a building campus with multiple entry points.

	Lite	Standard	Plus	Professional
<b>Number of Online Readers<sup>1</sup></b>	32	64	128	Unlimited
<b>Number of Cards</b>	2,000	4,000	10,000	Unlimited
<b>Client Workstations</b>	Single User	1 to Unlimited	1 to Unlimited	1 to Unlimited
<b>Addressable Controllers</b>	16	32	64	Unlimited
<b>Time Zones<sup>2</sup></b>	Unlimited	Unlimited	Unlimited	Unlimited
<b>Total Access Levels<sup>3</sup></b>	Unlimited	Unlimited	Unlimited	Unlimited
<b>Individual Expiring Access Levels per Cardholder<sup>4</sup></b>	99	99	99	99
<b>Number of Cardholder Custom Fields</b>	Unlimited	Unlimited	Unlimited	Unlimited
<b>Alarm Levels</b> (with advanced alarm notification)	99	99	99	99
<b>Holidays</b>	32	32	32	32
<b>User Privileges</b>	Included	Included	Included	Included
<b>First Person Rule</b> (Snow Day)	Included	Included	Included	Included
<b>Event Filtering</b> (w/ email support)	Included	Included	Included	Included
<b>Local, Regional, and Global I/O Links<sup>5</sup></b>	Included	Included	Included	Included
<b>Hardware COM Server Licensing<sup>6</sup></b> (Multi-Hardware Server support w/Universal I/O linking)	N/A	N/A	N/A	Optional
<b>Access Level Input and Output Control</b>	Included	Included	Included	Included
<b>Multiple Card Formats</b>	Included	Included	Included	Included
<b>System Reminders</b>	Included	Included	Included	Included
<b>Scheduler</b> (for recurring functions)	Included	Included	Included	Included
<b>Remote Dial-up</b>	Included	Included	Included	Included
<b>Standard Reports</b>	Included	Included	Included	Included
<b>Database Partitioning</b>	N/A	Optional	Optional	Optional
<b>Custom Report License<sup>7</sup></b> (with use of Crystal Reports)	N/A	Optional	Optional	Included
<b>Photo ID Badging<sup>8</sup></b>	Optional	Optional	Optional	Optional
<b>Pinnacle Data Exchange</b>	Optional	Optional	Optional	Optional
<b>Visitor Management</b> (STOPWare™ or EasyLobby SVM™)	Optional	Optional	Optional	Optional
<b>Aegis2 - Graphical command and control integration software</b>	N/A	Optional	Optional	Optional
<b>CCTV, DVR, Intercom and Serial Alarm</b>	N/A	Optional	Optional	Optional
<b>Software Dev. Kit (SDK)</b>	N/A	Optional	Optional	Optional

#### Standalone Application Utilities Built With Pinnacle's SDK

EventLink : Cardholder's image displayed with a corresponding reader event  
Administration Management : Scan for unused/unnecessary items

#### Library I/User Interface Utilities (Included)

Door Icon and Extended Door Control: Lock, lock or temporarily unlock selected doors

#### Library II/Functional Utilities (Included)

Event Counter: Increment and decrement a counter based on user-defined events  
n-Man Rule / Occupancy Restrictions: Set occupancy rules based on count, time, and cardholder use  
Independent Report Processor: Execute reports for pre-configured templates and formulas  
Email Report Scheduler: Schedule Pinnacle report generation with direct emailing

<sup>1</sup> The starting recommendation for LANLink is to limit the number of readers to 512 per Hardware COM Server (equivalent to 256 TC modules per Hardware COM Server); 16 or less Main Controllers should be the target limit per COM port

<sup>2</sup> Although Pinnacle supports unlimited Time Zone assignments, 16-bit and 32-bit controller storage limits Time Zones to 64 per TC module (2 fixed as "never" and "always")

<sup>3</sup> Although Pinnacle supports unlimited total Access Levels, each TC module is limited to 256 total access levels (also see individual cardholder limitations below)

<sup>4</sup> Pinnacle supports 99 individually expiring Access Levels per cardholder with up to three per cardholder sent to respective TC modules in order of set priority for each cardholder; server authorized enhanced assists are initiated for cardholder Access Levels of lower priority

<sup>5</sup> Local = I/O linking within the same TC module; Regional = I/O linking within the same AC-900 Main Controller (not applicable with LANLink controllers); Global = I/O linking across AC-900 Main and/or LANLink Controllers within the same server

<sup>6</sup> Hardware COM Server (Multi-Hardware Server) architecture supports Universal I/O linking across hardware servers

<sup>7</sup> Crystal Reports not included

<sup>8</sup> Licensing varies with different Pinnacle levels

## Minimum Requirements: Pinnacle Server and Client Workstations

<b>Operating System</b> (OS Not Included)	Lite, Standard, Plus, and Clients: Windows® Vista Business XP Professional w/SP2 OR Server 2003, Standard Edition w/SP1 (see notes) Professional: Windows 2000 Server w/SP4 OR Server 2003, Standard Edition w/SP1 (see notes)
<b>Database Engine</b>	See the SQL guidelines below
<b>Free Hard Disk Space</b>	1 GB hard disk space
<b>Processor (see Notes)</b>	Lite, Standard, Plus, and Clients: Pentium® 4 1.0 GHz Professional: Pentium 4 2.8 GHz
<b>Memory (see Notes)</b>	Lite, Standard, Plus, and Clients: 512 MB Professional: 1 GB
<b>CD-ROM</b>	10X or higher
<b>Monitor/Video</b>	17" SVGA (1024 x 768)
<b>Network Card</b>	10/100 Base T
<b>Mouse</b>	PS/2, USB, or Serial bus type
<b>Ports</b>	4 USB or 2 serial and 1 parallel
<b>Modem</b>	V.92, V.90, V.34 or V.32
<b>Sentinel (required)</b>	Included USB

### Microsoft SQL Server 2005 or Server 2000 w/SP3a Database Engine Guidelines

#### Lite, Standard, and Plus:

MSDE or SQL Express included; greater than 128 readers or 10K cardholders or 5K events per hour or 4 client workstations, database partitioning or *Aegis2* option requires the use of SQL Server 2005 or Server 2000 Standard or Enterprise Editions (not included)

#### Professional:

SQL Server 2005 or 2000 Standard or Enterprise Editions required (not included). MSDE or SQL Express is included only to start

#### Notes

- Certain Pinnacle screens, such as the device tree, requires MS Paint to be resident on your computer (included with Windows).
- Actual requirements may vary; increasing memory and processor speed has been found to improve performance.
- Specifications and availability are subject to change without notice.
- When installing *Aegis2* and Pinnacle on the same computer 2 GB of RAM is required for Pinnacle Lite and Standard and 4 GB for Pinnacle Plus and Professional.



170 East Ninth Avenue  
Runnemeade, NJ 08078  
800-424-2126 Toll Free  
856-939-9300 Phone  
856-939-9309 Fax  
www.sielox.com

© 2006-2008 – Sielox, LLC  
Sielox and Pinnacle are trademarks of Sielox, LLC.  
Certain product names mentioned herein may be trade names and/or registered trademarks of other companies.  
Sielox reserves the right to change product specifications.  
Rev 02.09.09