

Sielox / Lantronix UDS-1100

supporting network communications
(with Sielox Firmware V6.1.15.3 or greater)



Maximize flexibility for multi-site systems with the ability to communicate between the Command Center and Sielox controllers via existing network infrastructure.



The UDS-1100 Interface features a universal thin server that provides network communications capability to all Sielox controllers. The Interface allows the command center to communicate with main controllers using a standard 10Base-T and 100Base-T Ethernet connection.

Flexible and cost-effective

The UDS-1100 adds a new dimension of benefits. Supporting Ethernet LAN/WAN configurations, it allows Sielox controllers to communicate to the Command Center over the existing network infrastructure. This is a valuable tool when dedicated cabling, fiber optics or modems are impractical. For implementation of multi-site systems, it's a cost effective installation option. Customized firmware provides optimized communication with minimal network impact.

Standard components and connections

Each UDS-1100 device interfaces via a standard RS-232 connection to the command center. Main controllers interface to a standard Ethernet drop, using a static IP address. Configuration of the Interface is accomplished simply by using terminal emulation software to access the embedded setup options through the built-in RS-232 serial port. Each Interface also features Flash ROM, which permits simplistic field upgrading of the embedded operating code.

The industry's most intelligent access control

The UDS-1100 Interface provides maximum flexibility when installing Sielox controllers for communications with the Command Center. For configuration of today's most intelligent and reliable access control systems, look to Sielox Access Control.

Sielox / Lantronix UDS-1100

supporting network communications

(with Sielox Firmware V6.1.15.3 or greater)

- **System Software:**

- Flash ROM standard; new software can be downloaded via the serial port

- **Diagnostic LEDs:**

- Network: Transmit Data, Receive Data, Good Link, Collisions (Ethernet only)
- Serial Ports: Channel status, fault indicator

- **Compatibility:**

- Ethernet: Version 2.0/IEEE 802.3

- **Power Requirements:**

- External adapter included as 110 VAC (-01 models) or 230 VAC (-02 models)
- Required input power of 9-30 VDC @250mA max.

- **Environmental:**

- Operating Temperatures: 5 to 50C (41 to 122F)
- Storage Temperatures: -40 to 66C (-40 to 151F)

- **Physical Dimensions** (H x W x D):

- .09 x 2.5 x 3.5 in.
(2.3 x 6.4 x 9.0 cm)
- Weight: 8 lbs. (.35kg)

Product Specifications

Protocols Supported:

ARP, UDP, TCP, Telnet, ICMP, SNMP, DHCP, TFTP and HTTP

Ports:

Network – RJ45 (10Base-T / 100Base-T) and AUI Ethernet
Serial – DB25 serial port, DTE configuration

Network Bandwidth Usage:

37,000 bps max. (0.4%) 10Base-T / 100Base-T (master/slave polling architecture; not broadcasting)

Serial Line Formats:

Characters: 7 or 8 data bits
Stop bits: 1 or 2
Parity: odd, even, none

Modem Controls:

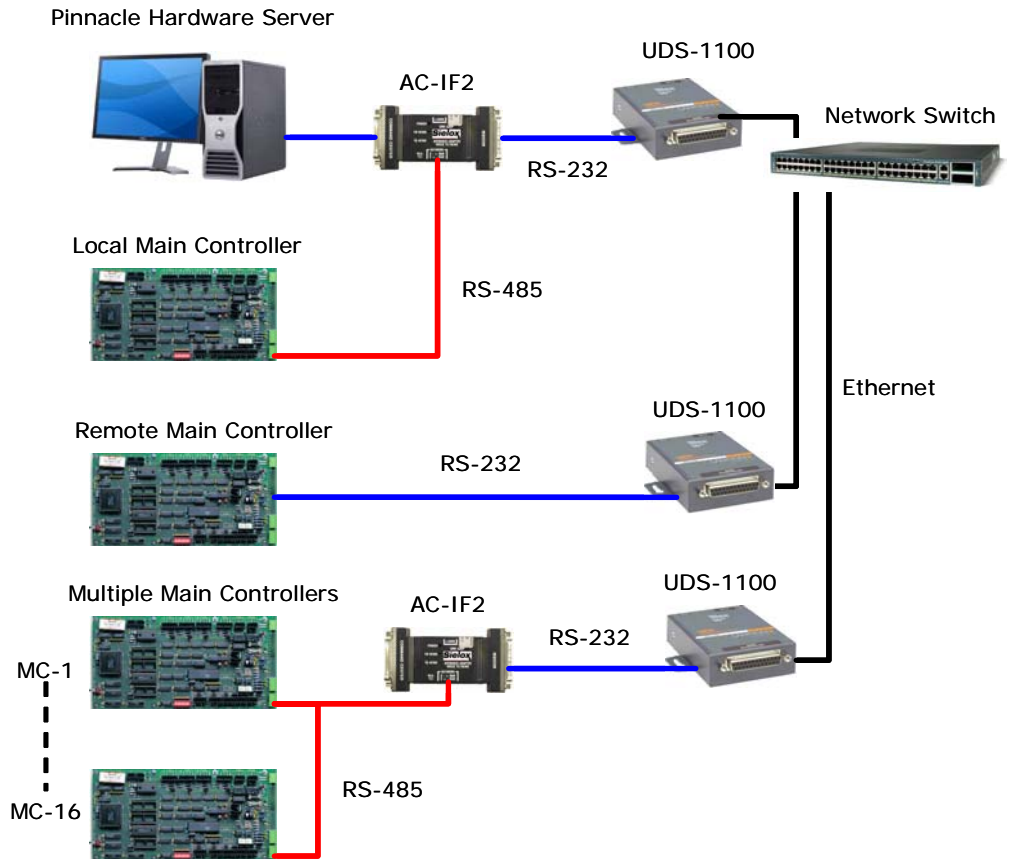
RTS, CTS, DSR, DCD, DTR

Flow Control:

Xon/Xoff
RTS/CTS
None

Management:

Via serial port



Sielox

Sielox

170 East Ninth Avenue
Runnemede, NJ 08078
800-424-2126 Toll Free
856-939-9300 Phone
856-939-9309 Fax
www.sielox.com

© 2007 – Sielox, LLC

Sielox and Pinnacle are trademarks and Performa and Mirage are registered trademarks of Sielox, LLC. Certain product names mentioned herein may be trade names and/or registered trademarks of other companies.

Sielox reserves the right to change product specifications.

Rev 09.01.07