

1500 Controller Series

LANLink™/ RS-485



AC-1500-LESR-x
2-8 Door Controller



AC-1500-LESR-2IO
2 Door I/O Controller



AC-1500-SENR-x
2-4 Door Controller



AC-1500-LESN-NIO
I/O Controller



1500 Controller Series

The Sielox 1500 controller manages from 2 doors up to 16 doors in the large configuration or from 2 doors up to 4 doors with the small configuration.

It includes a built in power regulator / UPS / battery charger module that keeps the controller working in the event of a power failure.

Communication options include Ethernet (LANLink™ 1500) or RS-485 (AC-1500).

When used in conjunction with the X-LAN, up to 32 doors can be managed with a single Ethernet connection.

Features:

- **Reader Types** – FIPs 201, Standard 26 bit Wiegand, Sielox format, HID Corporate 1000, ANSI Wiegand
- **2 to 8 Door Controllers** - Add 2 door Terminal Controller (TC) modules to the backplane
- **I/O Expansion Board Option** – Expand with an additional combination of 56 Inputs / 56 Outputs
- **Communication** – Ethernet, RS-485 or a combination of both (X-LAN)
- **Auto-Configuration** – Automatically detect and configure individual Terminal Controller modules within the Pinnacle™ software application
- **Programmable Flash ROM**– Upgrade firmware without chip replacement
- **Maintenance Port**– Perform infield diagnostics and updates using the onboard serial port
- **Legacy Upgrade Path** – Convert 8-bit and 16-bit Sielox controllers with AC-1500S kits
- **Battery Charger** with Main Power Loss Signal
- **Lithium battery backup** - keeps the cardholder database, off-line events and RTC running in case of power loss
- **Status lights** - for lithium battery, communications and power
- **Certifications** - FCC part 15, ETL Certified to UL 294 and UL 1076

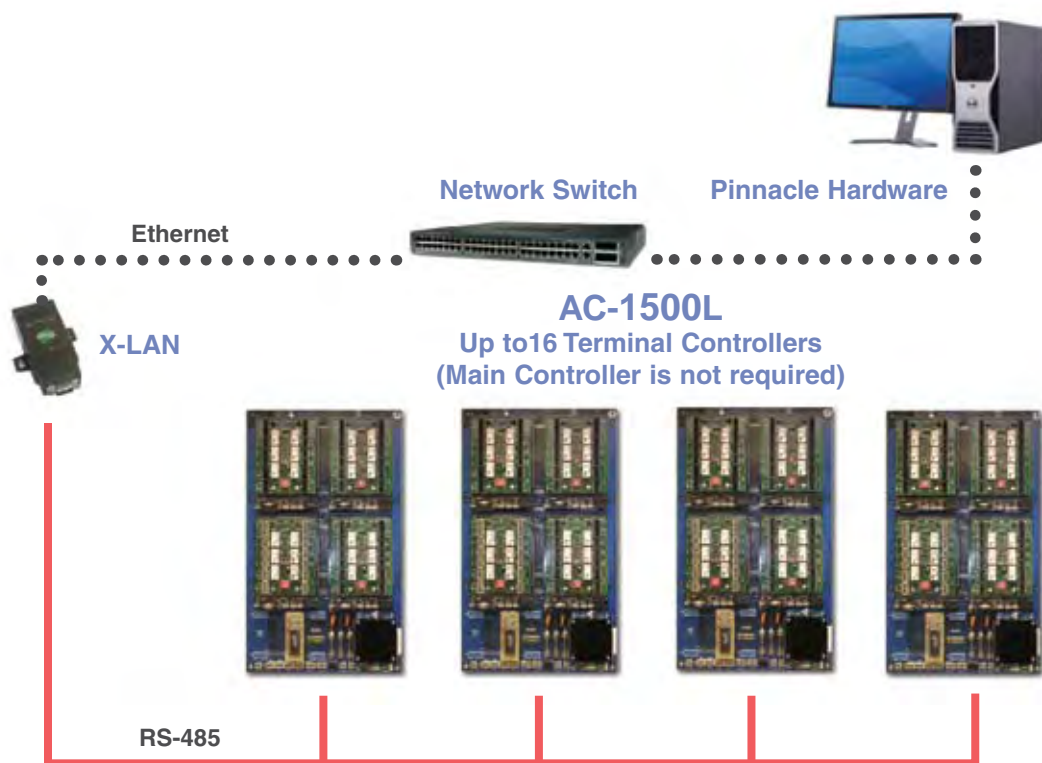
1500 Controller Series

From 2 doors expandable up to 16 doors in one enclosure!

Sielox's 32-bit modular backplane provides for unmatched modular configuration in a distributed network architecture.

Managing each set of 2-doors are Terminal Controller modules (TCs). TCs store each cardholder and reader configuration until it's updated from the command center server, giving the TCs the ability to maintain access control even if the command center goes down, manage inputs and outputs, manage card readers, and lock and unlock doors.

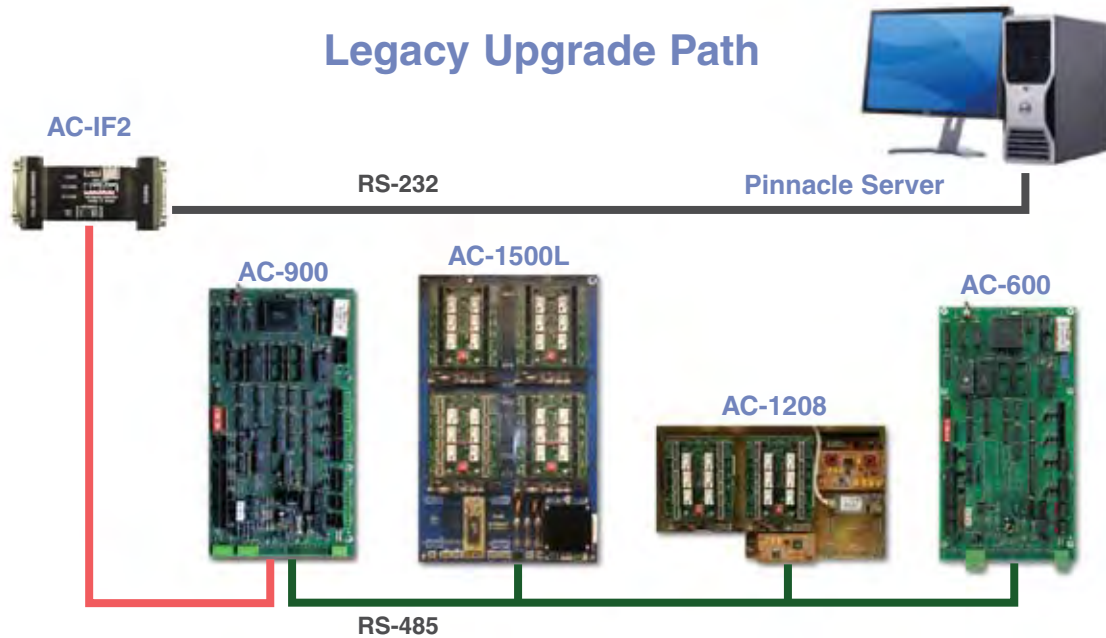
Main Controllers (MCs), with 2-door capability themselves, have traditionally served as the intermediary between the command center and with each main controller is capable of managing up to 16 Terminal Controllers. Communications from the command center server to the MC/TC network continues to be the design of choice for serial communications.



Sielox X-LAN Combines Ethernet and RS-485 reducing installation costs!

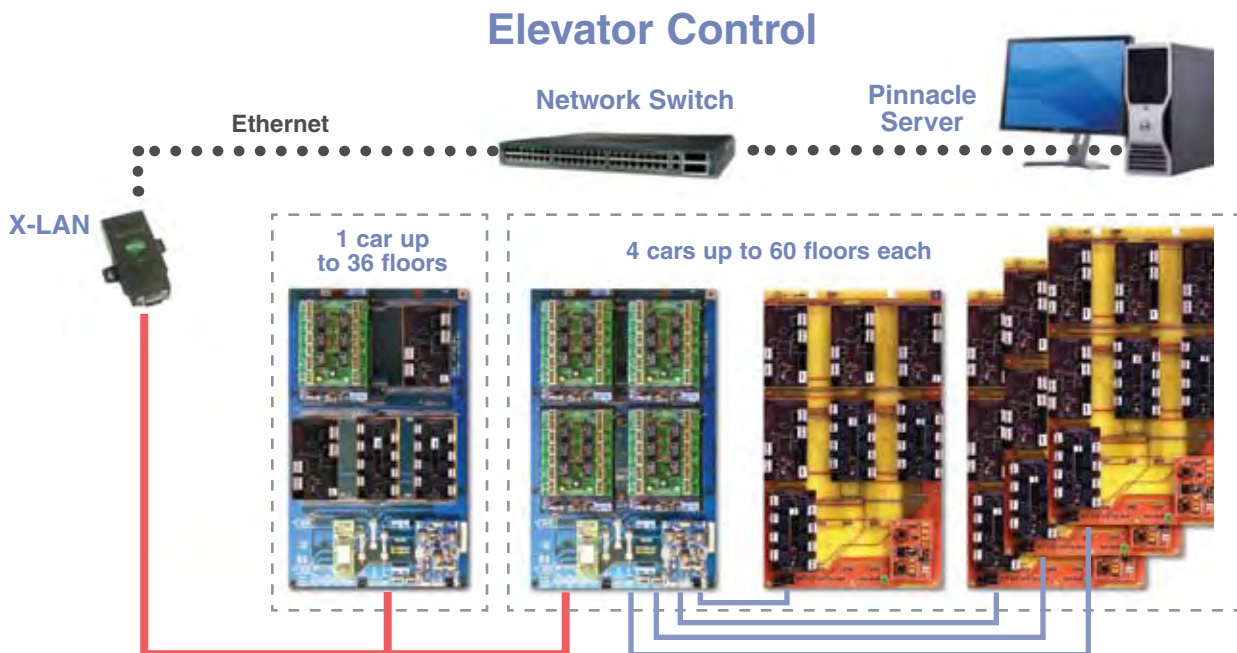
No Controller Left Behind

Sielox develops new software keeping the compatibility with 8 bit and 16 bit controllers, giving the end user the flexibility to upgrade an installation without replacing the legacy controllers.



Elevator Control

Each Controller supports up to 60 floors, giving your elevator access control no other security product can match. The unique Access Level Output Control (ALOC) functionality defines the time zone during which a cardholder has access to their assigned floors.



1500 Controller Series

Product Specifications

General

Backplane Dimensions	AC-1500L: 14.95" x 8.60" (37.9 cm x 21.8 cm) AC-1500S: 10.50" x 8.65" (26.7 cm x 21.9 cm)
Power Requirements	Input Voltage Range: 10 to 25 VDC Output 1: 12 VDC 2 A Output 2: 5 VDC 3 A 2.9 amps sustained max without readers ¹ Lead Acid Battery Charger: 14.4 VDC 500mA
Operating Conditions	0° to +50°C; 90% relative humidity, operating (non-condensing)

Backward compatible with AC-1200 Modules

Certifications

FCC part 15
ETL Certified to UL 294 and UL 1076 Standards



Terminal Controller (TC) Modules

2-Door TC Modules

Supports two doors with four inputs and four outputs

Capacity

32-bit CPU with storage for 10K buffered events; for 26-bit cards, up to 50K cards with one access level per cardholder or 25K cards with three access levels per cardholder (card type and use of PIN dependent)
Access Levels: 256 per TC²
Time Zones: 64 per TC
(2 fixed as "never" and "always")

Lithium Battery

Retains RAM memory and real-time clock operation for more than 2 years.

Communication status LED's on the CPU Module

Hot swap power modules

Expansion Input Module

Provides eight user-defined inputs, supervised or unsupervised.

Expansion Output Module

Provides eight user-defined outputs

Devices

Doors

Each door includes door strike output, door switch input, and request-to-exit input

Readers

Supports all standard industry formats, including Performa[®] and Mirage[®] proximity and others currently supported by Sielox controllers

Inputs

User-defined dry contact relays with supervision

Outputs

User-defined SPDT dry contact relays, 2A max at 24 VDC or 24 VAC

Cables

Ethernet

CAT-5 or CAT-6

RS-485

Shielded dual twisted pair, 22 AWG (4,000 feet maximum) Belden 8723

RS-232C

Shielded nine conductor, 22 AWG (20 feet maximum)

Readers/Keypads

Shielded five conductor, 18 AWG (500 feet maximum) West Penn 3280

Inputs

Shielded twisted pair, 22 AWG (500 feet maximum) Belden 8761

AC-1500L Configurations (Large Backplane)

	Model	Doors	Std I/Os	Exp I/Os
2-Readers	AC-1500-LES*-2	2	4/4	56
4-Readers	AC-1500-LES*-4	4	8/8	112
6-Readers	AC-1500-LES*-6	6	12/12	168
8-Readers	AC-1500-LES*-8	8	16/16	224
2 Readers I/O	AC-1500-LES*-2IO	2	4/4	32
56 I/O Expansion	AC-1500-LESN-NIO	--	--	56

AC-1500S Configurations (Small Backplane)

	Model	Doors	Std I/Os	Exp I/Os
2-Readers	AC-1500-SES*-2	2	4/4	32
4-Readers	AC-1500-SES*-4	4	8/8	0
2-Readers I/O	AC-1500-SESx-2IO	2	4/4	32

Retrofit configurations available for AC-300 legacy replacements.

Accessory modules for use with indicated backplane assemblies: 2-door Terminal Controllers (TCs), and Input and Output expansion kits

* Add "L" for LANlink[™] or "R" for RS-485 comm. modules

¹ Sustained power consumption breakdown:

Each TC Module = 375mA
12V Power Converter Module = 70mA
5V Power Converter Module = 20mA
RS-485 COM Module = 110mA

² Pinnacle further supports (i) access levels sent to each controller in order of priority, on an as-needed basis, per the capacity stated and (ii) server authorized enhanced assists for cardholder access levels of lower priority.



170 East Ninth Avenue • Runnemede, NJ • 08078

For Sales & Marketing, Customer Service, Technical Support or Training Call:
(856) 939-9300 • Toll Free: (800) 424-2126 • Fax: (856) 939-9309 • www.sielox.com

©2008 – Sielox, LLC. Sielox and Pinnacle are trademarks and Performa and Mirage are registered trademarks of Sielox, LLC.

Certain product names mentioned herein may be trade names and/or registered trademarks of other companies. Sielox reserves the right to change product specifications. Rev 031708