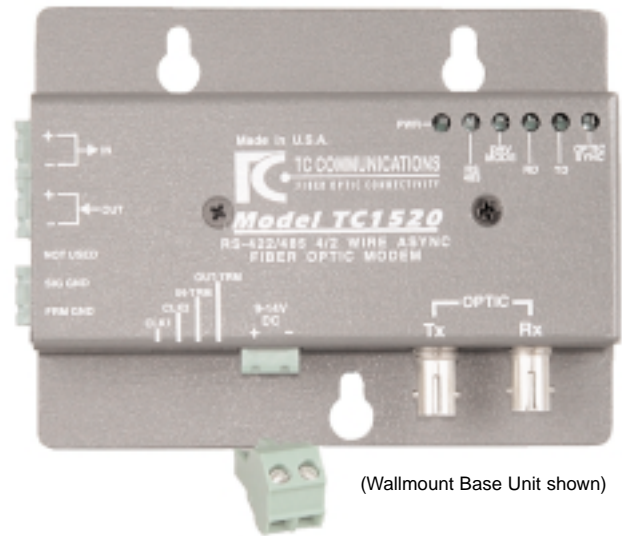


RS-422/RS-485 Async Fiber Optic Modem

Model
TC1520

- Async Data Rates up to 500 Kbps*
- RS-422, 2 or 4-wire RS-485
- Hardened Temperature Version (optional)
- Ring or Point-to-point Topologies
- Distances up to 80km
- Multimode or Single Mode (850/1300/1550nm)
- Six Diagnostic LEDs
- Sturdy Compact Metal Case



(Wallmount Base Unit shown)

Versatile and competitively priced, the TC1520 fiber optic modem supports RS-422 and 2-wire or 4-wire RS-485 interfaces. It transmits asynchronous data at speeds up to 500 Kbps.* Distances up to 80km are possible over single mode fiber, 4km over multimode fiber.

Because the TC1520 can be multi-dropped on the electrical side (RS-485), it is ideal for poll and response applications such as SCADA and Process Control. It will support one Remote Terminal Unit via the RS-422 interface.

Six visual indicators are provided for troubleshooting: Power, RS-485, Driver Mode, Receive Data, Transmit Data, Optic Sync. Four DIP switches are provided for RS-485 Transition Time and Termination Resistor settings.

The TC1520 is compatible with all popular types and sizes of multi-mode (850nm/1300nm) or single mode (1300/1550nm) fiber optic cable. Fiber optic connectors are ST or FC. The electrical connectors are terminal blocks. Power is 12VDC or 115/230VAC with an external power cube. A hardened temperature version (-20°C to 70°C), Model TC1520T, is also available.

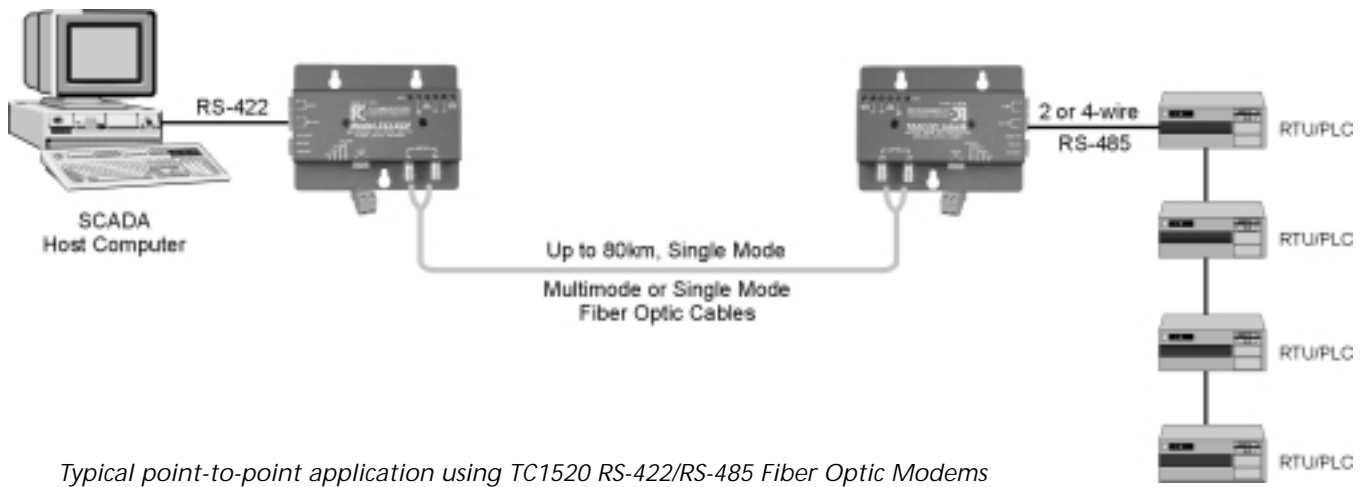
**Contact factory for higher requirements*



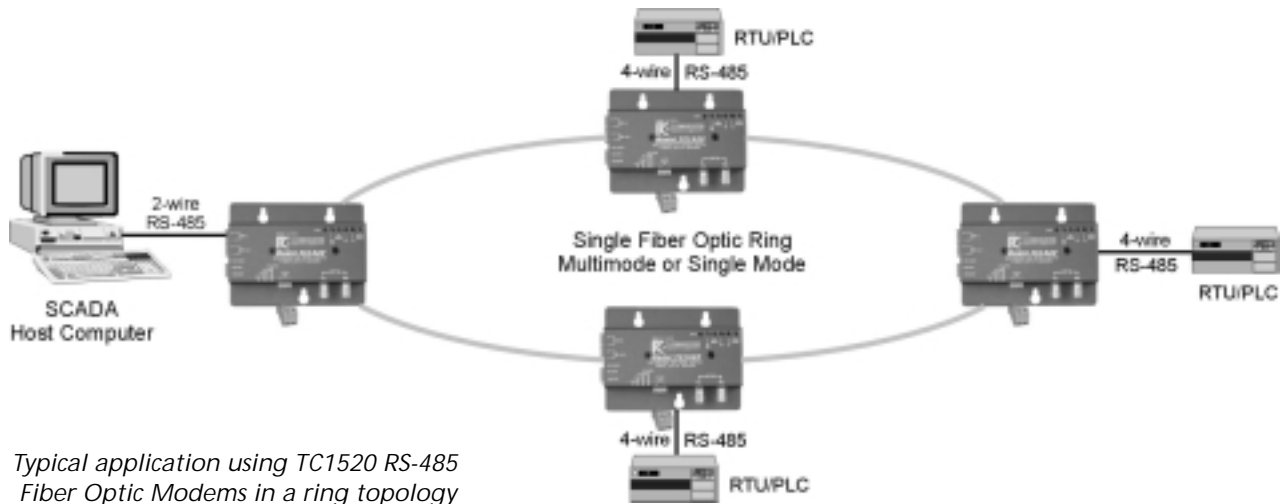
Applications

The TC1520 is often used to link various process control systems in manufacturing plants, refineries, etc. It is also commonly used to connect Remote Terminal Units to SCADA hosts, to monitor Power and Water plant devices and to link security networks.

TC Communications, Inc.
17575 Cartwright Rd. Irvine, CA 92614 U.S.A.
Tel: (949) 852-1972, Fax: (949) 852-1948
Sales: (800) 569-4736
Web Site: www.tccomm.com
E-mail: info@tccomm.com



Typical point-to-point application using TC1520 RS-422/RS-485 Fiber Optic Modems



Typical application using TC1520 RS-485 Fiber Optic Modems in a ring topology

Data Rates

Asyncup to 500 Kbps*

Optical

Transmitter.....LED/ELED

Receiver.....PIN Diode

Wavelength.....850/1300nm MM

.....1300/1550nm SM

Fiber Optic Connectors

.....ST, Optional FC

Loss Budget* - 850/1300/1550nm

Multimode @62.5/125µm15dB

Single Mode @9/125µm.....15dB

Electrical

Connector.....Terminal Blocks

Interface

...RS-422, 2-wire or 4-wire RS-485

System

Bit Error Rate.....1 in 10¹⁰ or better

Visual Indicators

LEDs.....PWR, TD, RD, RS-485,
.....DRV Mode, Optic Sync

Power

Standard.....12VDC @ 200mA

Optional.....115/230VAC

.....(with external power cube)

Temperature

Operating.....-10°C to 50°C

Hi-Temp (optional).....-20°C to 70°C

Storage.....-40°C to 90°C

Humidity.....95% non-condensing

Physical

Height.....(2.24 cm) 0.88"

Width.....(10.05 cm) 3.96"

Depth.....(4.40 cm) 1.73"

Weight.....(104 gm) 3.67 oz

*Contact factory for higher requirements



TC Communications, Inc.
17575 Cartwright Road
Irvine, CA 92614 U.S.A.
Factory Tel: (949) 852-1972
Fax: (949) 852-1948



Sales Office
U.S.A. Domestic: (800) 569-4736
International: (949) 852-1973

Web Site: www.tccomm.com
E-mail: info@tccomm.com