

SR-2400™



Sentinel-Prox SR-2400™



The Sentinel-Prox Special Range (SR) reader is AWID's latest engineering achievement. With a respectable read range of 4-5.5 inches, the SR-2400 delivers exceptional read range with no compromise on quality, durability or performance.

Designed as an alternative to competitors reduced performance readers for high volume OEM's, the SR-2400 is a fully featured Wiegand™ compatible reader with LED and annunciator. The SR-2400 reader is metal compensated, resulting in minimal loss of read range when mounted on a metal mullion.

The SR-2400 electronics are potted in UL-approved potting compound to seal them against adverse environmental conditions. It is manufactured in an ISO 9000 certified facility providing for the highest quality standard. The attractive enclosure comes in dark gray (standard) or beige and may be mounted on a mullion or directly to an interior or exterior wall.

Features

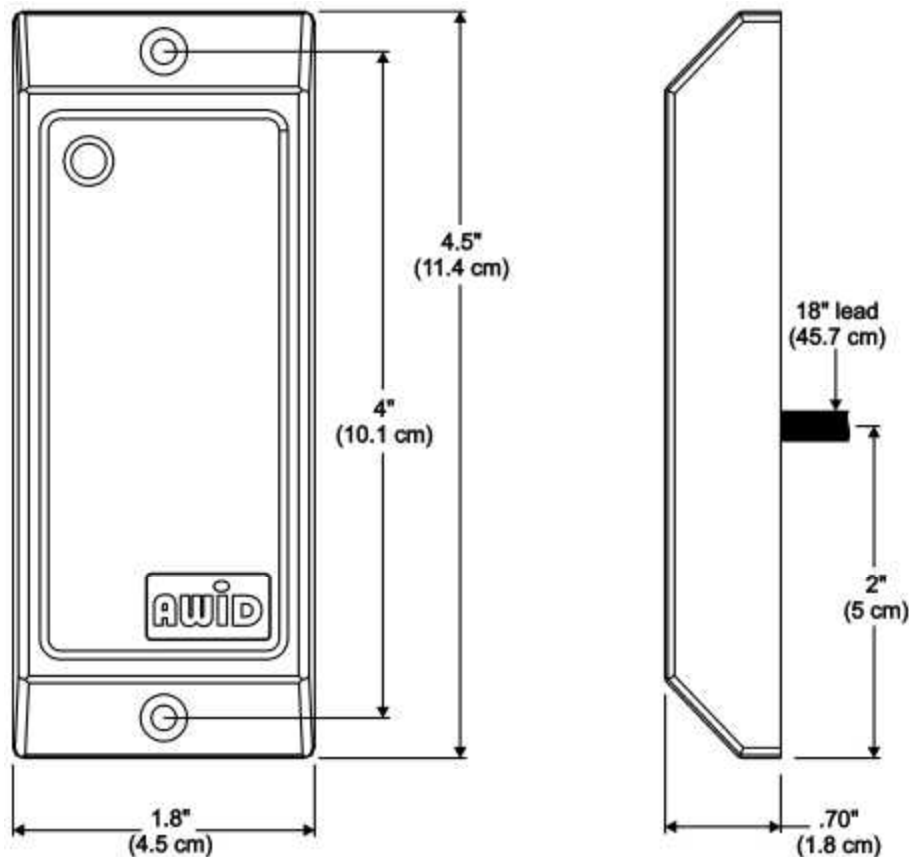
- Read range of 4-5.5 inches
- Electronics potted with epoxy compound for demanding environmental applications
- LED for visual feedback, Piezo for audio feedback
- Compatible with all Wiegand access control systems
- Industry standard Wiegand (26 to 56 bit) output
- Attractive high-tech enclosure

Specifications

SR-2400™

Read Range:
4-5.5" (10-14 cm)
Transmitting Frequency:
125 kHz
Voltage:
5-12 VDC
Current Requirement:
40-70 mA
Output Format:
Wiegand™

Operating Temperatures:
-31° to 150° F (-35° to 65° C)
Operating Humidity:
0-95% non-condensing
Weight:
4 oz. (113 g)
Color:
Dark gray (standard) & Beige
Cable:
5 conductor (#22 AWG) stranded with continuous shield for typical Wiegand installations
Certifications:
Complies with FCC Part 15, Industry Canada



Warranty:
Lifetime warranty against defects in material and workmanship when installed according to AWID's installation instructions. See complete warranty statement for further details.

Disclaimer:
Specifications subject to change without notice. AWID reserves the right to make changes to improve performance without impacting form, fit or function

This product is protected by U.S. patents No. 5,594,384, 6,377,176 and 6,307,517.

June 22, 2006

Applied Wireless ID
382 Route 59, Section 292
Monsey, NY 10952

Tel: (845) 369-8800
Fax: (845) 369-1195
Internet: <http://www.awid.com>