

SP-6820™



Sentinel-Prox SP-6820™



The Sentinel-Prox SP, ideally suited for applications where a discriminating look makes a difference. An attractive package which looks great outside the Board Room or at the front gate in the rain or snow.

The Sentinel-Prox SP-6820 proximity reader from AWID offers a stylish look and a superior read range of 6-8 inches. It is designed to mount on a standard-single-gang electric wall box or on the surface of an interior or exterior wall. The SP-6820 comes in dark gray or beige and is sure to blend in with the architectural design of any building. It is easily installed and the two-piece construction allows switching of covers to accommodate color changes.

The SP-6820 outputs Wiegand™ and RS 232 formats and is compatible with all access control systems. The electronics is potted with UL-approved potting compound which protects the reader from harsh environmental conditions. It is manufactured in an ISO 9000 certified facility providing for the highest quality standard. The SP-6820 is highly reliable, warranted for life and capable of providing the best read range in its class.

Features

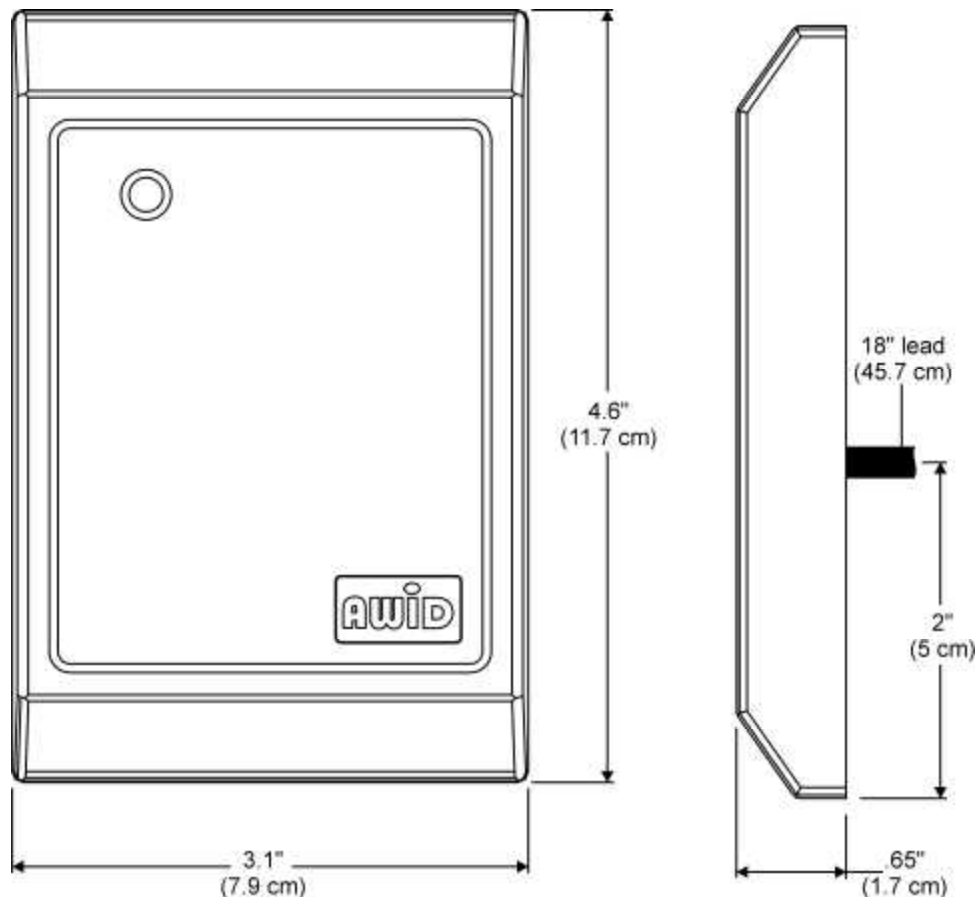
- Read range of 6-8 inches
- Electronics potted with epoxy compound for weather resistance
- LED for visual feedback, Piezo for audio feedback
- Industry standard Wiegand and RS-232 output
- Proximity technology, no contact required
- Attractive high-tech enclosure
- Indoor and outdoor applications

Specifications

SP-6820™

Read Range:
6-8" (15.2-20.3 cm)
Transmitting Frequency:
125 kHz
Voltage:
5-12 VDC
Current Requirement:
50-80 mA
Audio Alarm:
4 kHz burst
Output Format:
Wiegand™ and RS-232

Operating Temperatures:
-31° to 150° F (-35° to 65° C)
Operating Humidity:
0-95% non-condensing
Weight:
8 oz. (227 g)
Color:
Dark gray (standard) & Beige
Cable:
5 conductor (#22 AWG) stranded with continuous shield for typical Wiegand installations
Certifications:
Complies with FCC Part 15, Industry Canada



Warranty:
Lifetime warranty against defects in material and workmanship when installed according to AWID's installation instructions. See complete warranty statement for further details.

Disclaimer:
Specifications subject to change without notice. AWID reserves the right to make changes to improve performance without impacting form, fit or function.



This product is protected by U.S. patents No. 5,594,384, 6,377,176 and 6,307,517.

June 22, 2006

Applied Wireless ID
382 Route 59, Section 292
Monsey, NY 10952

Tel: (845) 369-8800
Fax: (845) 369-1195
Internet: <http://www.awid.com>