



1700 Controller Series

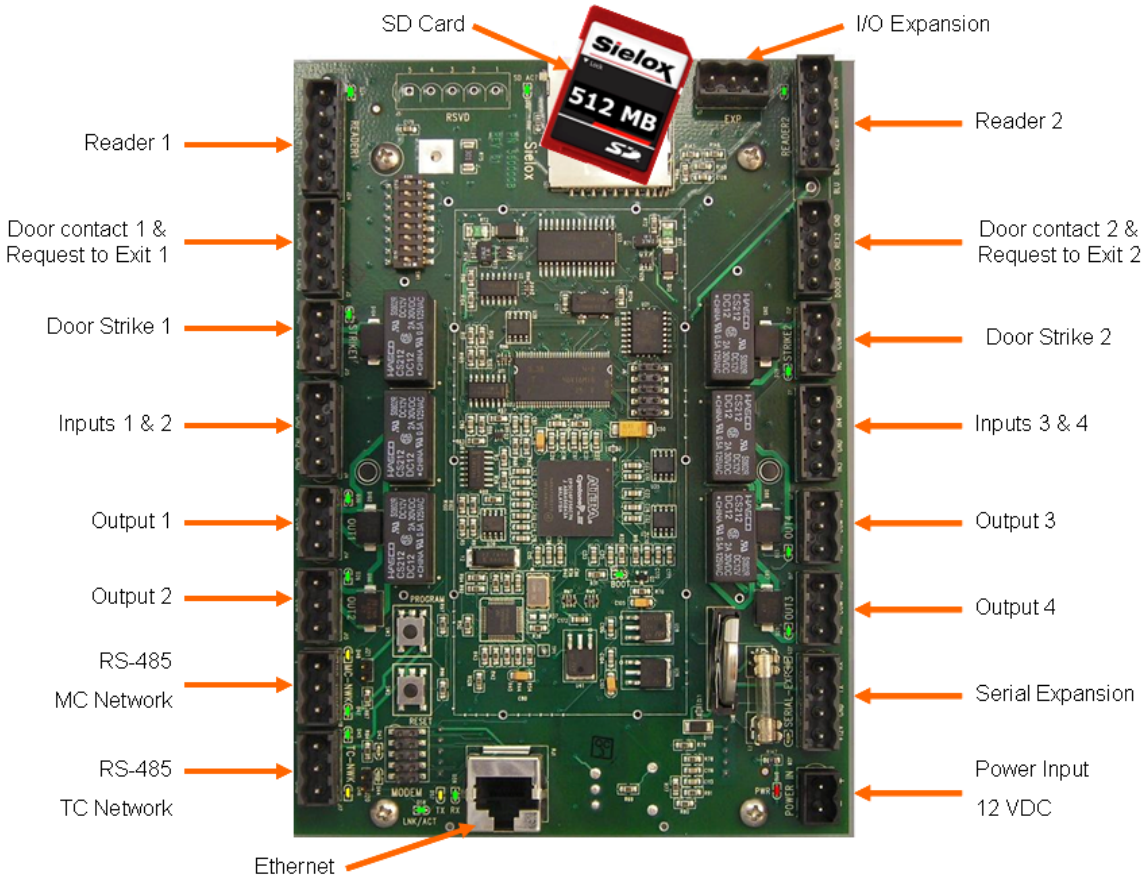
The 1700 Controller is the next generation access control panel, incorporating 32-bit technology with real-time operations for ultimate in speed, performance and reliability. For uncompromising security the 1700 is an intelligent fully distributed controller ensuring decisions even if communications have been interrupted. Incorporating a true IP solution with data transfer rates up to 100 mbps per second to the on board processor. With its distributed networked architecture, the AC-1700 controller can be connected directly onto the network, saving companies money on both wiring and installation costs.

The 1700 can be deployed as a Main Controller or Terminal Controller. The Main Controller supports up to 16 terminal controllers including one on-board, and provides local and regional anti-passback functionality as well as local and regional input/output linking. The 1700 features a removable secure digital card, with storage capacity ranging from 128 MB to 1 GB. The SD card can house a redundant controller configuration, cardholder database, events, maintenance log, wiring diagram, installation manual and more. Allowing quick installation startup, instantaneous controller configuration recovery reducing down time and lengthy downloads.

Support for industry standard reader types and technologies including, FIPS 201, Wiegand, card and pin, proximity, biometric, smart card, magnetic stripe and, barcode.

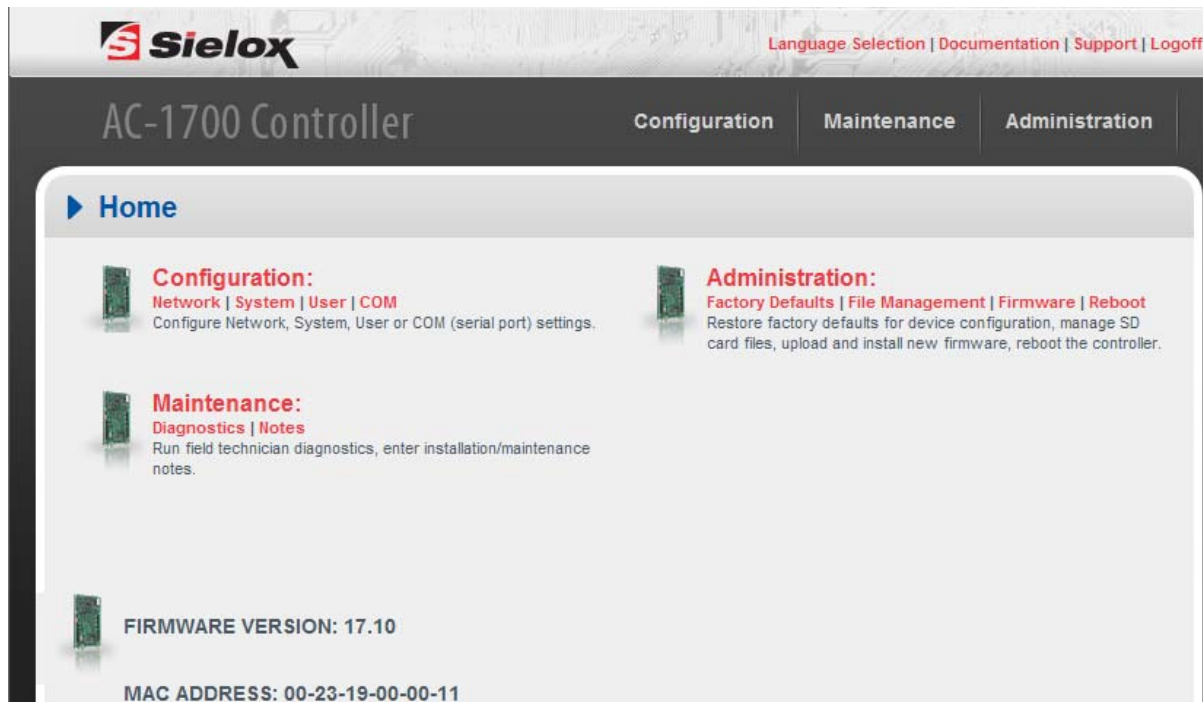
Technicians can perform infield or remote diagnostics, troubleshooting and firmware updates using the on board Web-based maintenance port. On board LED's provides important controller status and diagnostics information.

The 1700 is ideal for small stand alone applications or enterprise wide solutions.



Actual Size 5" x 7"

Web Maintenance Port



Features and Benefits:

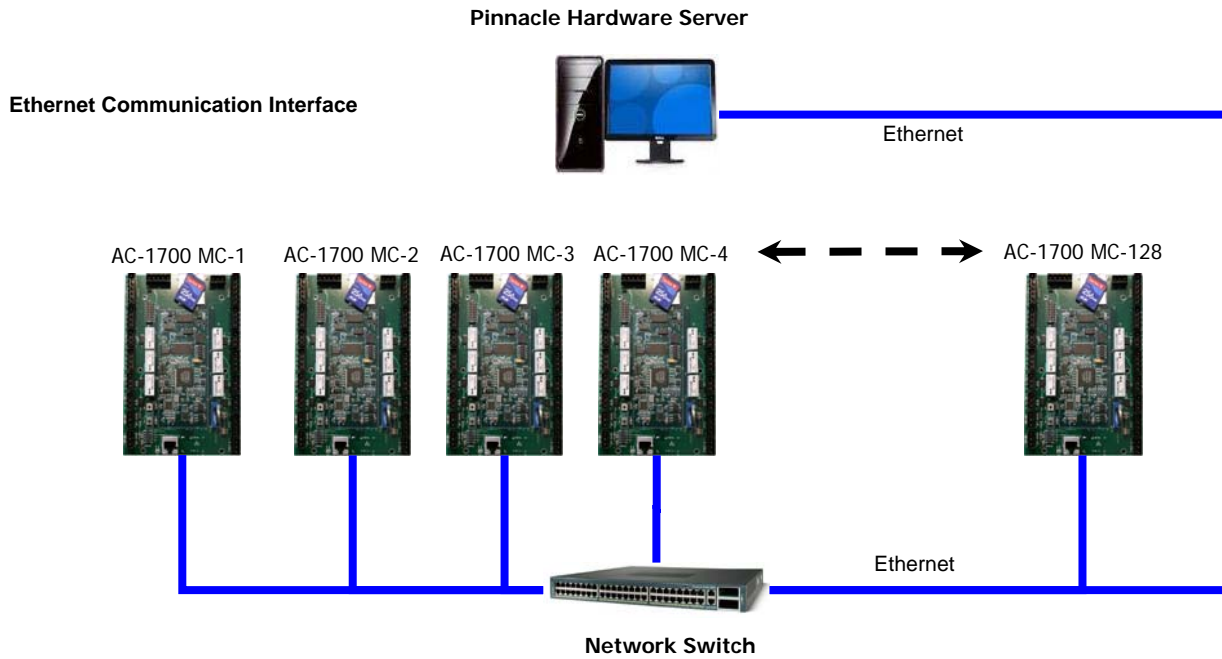
- **Two Controllers in one** - Select the Main Controller or Terminal Controller via dip switch. Fewer components to sell, install, and stock for service
- **Two Readers, two locks, two door position switches and two request to exit devices**
- **Inputs and Outputs** - Includes 4 supervised or unsupervised inputs and 4 auxiliary outputs with field replaceable relays
- **Power Over Ethernet (POE)** - Optional POE module is available to power the controller and readers (*Coming soon*)
- **Secure Digital Card (SD)** - Stores a backup of the Controller Database, Installation Manual, Field Maintenance Log, Wiring Diagrams and more. Provides information at your finger tips
- **Reader Types** - FIPs 201, Standard 26-bit Wiegand, Sielox format, HID Corporate 1000, ANSI Wiegand
- **2 to 8 Door Enclosures**
- **Communications** - Ethernet with AES 256 encryption and RS-485
- **Coin Battery** - Keeps the controller Real Time Clock running in the event of a power loss
- **Programmable Flash ROM**
- **Maintenance Port** - Perform infield or remote diagnostics and updates using the onboard web based port

170 East Ninth Avenue, Runnemede, NJ 08078 | 856-939-9300 | Toll free: 800-424-2126 | Fax: 856-939-9309 | info@sielox.com

1700 Controller Series

True IP Solution

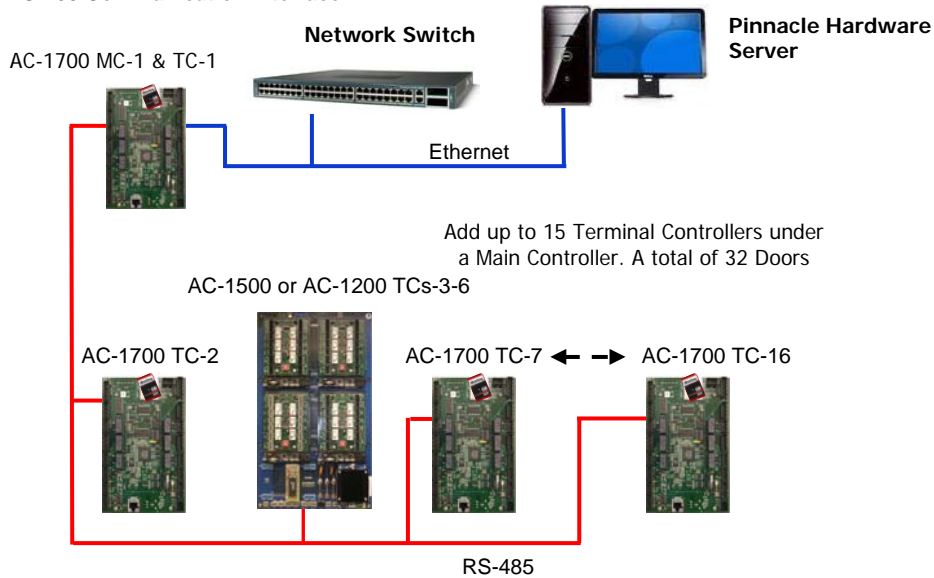
Main Controllers are connected to the Pinnacle Hardware Server through the Ethernet; they all have an on-board Terminal Controller, TC-1. With this setup you can access each individual MC web maintenance port.



Cost Effective Installations

On-board Ethernet and RS-485 interfaces simplify your installation.

Ethernet / RS-485 Communication Interface



NOTE: Pinnacle supports AC-300 and AC-600 controllers; they must be connected to an AC-900. They cannot be connected to an AC-1700.

170 East Ninth Avenue, Runnemede, NJ 08078 | 856-939-9300 | Toll free: 800-424-2126 | Fax: 856-939-9309 | info@sielox.com

Product Specifications

General

Controller Dimensions:
5" x 7" (12.7 cm x 17.78 cm)

Enclosures Dimensions:
Large: 16" x 20" x 3.5" (40.64 cm x 50.80 cm x 8.89 cm)
Small: 12" x 12" x 3.5" (30.48 cm x 30.48 cm x 8.89 cm)
½", ¾", and 1½" conduits knockouts.
Key operated lock
Tamper switch

* Mounting hardware available for custom enclosures.

Power Requirements: Input Voltage: 12 VDC, 350 mA for the 1700 controller, does not include reader power consumption.

Operating Conditions: Temperature 0° to +50° C; Relative humidity 90% operating (non-condensing)

Certifications

FCC part 15
ETL certified for UL 294 and UL 1076



Main Controller (MC)

Capacity: Web Maintenance Port, Maintenance Log, PDF Installation Manual, Regional Anti pass back of all 16 TC2, Regional I/O linking of all 16 TCs

Communications: Ethernet and RS-485 for terminal controller network.

Terminal Controller (TC)

2-Door TC Modules: Support for Two Readers, two locks, two door position switches and two request to exit devices with four inputs and four outputs

Capacity: 32-bit CPU with storage for 10K buffered events; for 26-bit cards, up to 50K cards with one access level per cardholder or 25K cards with three access levels per cardholder (card type and use of PIN dependent)

Access Levels: 256 per TC

Time Zones: 64 per TC - (2 fixed as "never" and "always")

Lithium Battery: Retains real time clock operation for more than 2 years.

Communication: RS-485

Devices

Doors: Each door includes door strike output, door switch input, and request-to-exit input.

Readers: Supports all standard industry formats, including Performa® and Mirage® proximity and others currently supported by Sielox controllers.

Inputs: User-defined dry contact relays with supervision

Outputs: User-defined SPDT dry contact relays, 2A max @ 24 VDC or 24 VAC

Cables

Ethernet: CAT-5 or CAT-6

RS-485: Shielded dual twisted pair, 22 AWG (4,000 feet maximum) Belden 8723

Readers/Keypads: Shielded five conductors, 18 AWG (500 feet maximum) West Penn 3280

Inputs: Shielded twisted pair, 22 AWG (500 feet maximum) Belden 8761

Outputs: Application dependent

AC-1700 Large Enclosure Configurations

	Model	Doors	Std I/Os
2-Readers	AC-1700-LS-2	2	4/4
4-Readers	AC-1700-LS-4	4	8/8
6-Readers	AC-1700-LS-6	6	12/12
8-Readers	AC-1700-LS-8	8	16/16

AC-1700 Small Enclosure Configuration

	Model	Doors	Std I/Os
2-Readers	AC-1700-SS-2	2	4/4

Optional POE Module (Coming Soon)

